



# AXIAL-FLOW®

150 SERIES COMBINE HARVESTERS







# MAKES YOUR HARVEST A SUCCESS

Best grain quality guaranteed





DESIGNED FOR PRODUCTIVITY .....	04 - 05
HEADERS .....	06 - 11
THRESHING SYSTEM .....	12 - 17
CLEANING SYSTEM & GRAIN HANDLING .....	18 - 25
RESIDUE MANAGEMENT .....	26 - 29
DRIVE TECHNOLOGY .....	30 - 35

CAB .....	36 - 45
AFS .....	46 - 53
SERVICE .....	54 - 59
SUSTAINABILITY .....	60 - 61
SPECIFICATION .....	62 - 63

# TAKE A CLOSER LOOK

Axial-Flow® 5150 / 6150 / 7150

Case IH Axial-Flow 150 Series combines are designed to meet the requirements of today's demanding customers. Productivity, comfort, serviceability and reliability have reached new heights with the 150 Series.

## DESIGNED FOR PRODUCTIVITY

Everything about the Axial-Flow 150 Series is about greater productivity. And not one minute will be wasted in servicing, with easy access to service points. On top of that, Residue management quickly and easily switches between spreading and windrowing, and ensures the even spreading ideal for modern farming practices.

## BUILT FOR OUR CUSTOMERS

Case IH engineers understand that, whilst getting grain in the barn is the key to maximising income, combine running costs are the farmers' highest expense, and that covering the ground/fields quickly means nothing if it comes at the expense of excessive fuel and maintenance costs and increased grain losses. At the heart of Axial-Flow 150 Series combines are engine and rotor refinements that allow the operator to extract as much power as possible from every last drop of diesel while ensuring long-lasting reliability of every component. That is proof of how Case IH is constantly seeking to reduce the impact of its equipment both on your wallet and on the environment.

## KEEP A CLOSE EYE ON PERFORMANCE AND COST

AFS AccuGuide auto-steering uses GPS to guide the combine with 1.5 cm precision - virtually eliminating overlaps. With the optional Case IH telematics systems, you can network your combine and office computer to exchange machine, agronomic and job site information.

## COMFORT

Driving is easier than ever with the new electrical shift transmission, allowing you to select between 4 speeds electrically engaged for perfect traction wherever you are.

## CASE IH HEADERS

150 Series combines can be equipped with the latest generation Case IH headers.







### HIGH VOLUME GRAIN TANK UNLOADED ON THE GO

Large quantities of clean high quality grain are unloaded from the Axial-Flow 150's high capacity tank at unbelievable rates. The adjustable pivot spout option together with a long auger keep the trailer at the right distance, preventing losses even in windy conditions.

### CLEAN GRAIN SAMPLES AND HIGH PRODUCTIVITY EVEN ON HILLSIDES

Axial-Flow combines lead the industry for their large, efficient cleaning area.

### ROTOR COMPARTMENT - OPTIMISED HARVEST WITH EASY ADJUSTMENTS

Single rotor threshing and separation has been Case IH's calling card for decades. The Axial-Flow 150 Series is no exception, incorporating some of the latest concepts in threshing and separation, cleaning, and unloading.





CASE IH





# A COMPLETE HEADER RANGE

Productivity in all crops

Decades of experience and constant development have made Case IH into probably the most successful header manufacturer in the world today. Yet Case IH doesn't rest on its laurels. We continue to invest in in-house research in order to develop more effective, reliable and capable headers for a multitude of different crops. The product range includes high-performance headers for any combinable crop, for any harvesting conditions worldwide, and for any type of yield. And in each case, development and manufacturing comes from a single source – Case IH itself.

# NOT JUST A HEADER – IT’S A CASE IH HEADER

Each header designed and built by us, for us

Latest generation Case IH headers, available in widths of up to 10.7 m for the 150 Series are designed specifically for the toughest conditions and allow for making the most of your combine’s capacity. Choose from a wide range of headers including variable knife grain headers, flex headers, pick-up headers, draper headers and corn headers – whatever suits your business best – and go for high performance with your reliable and easy-to-service Case IH equipment.






## DESIGNED TO GATHER EVERY GRAIN

Benefit from Case IH’s wide range of headers. Case IH headers are designed to not only match today’s faster field speeds, tougher crop conditions and changing cropping practices, but take on tomorrow’s challenges as well. They are the perfect tool for ever-changing harvesting conditions, different stages of ripeness or changing conditions over the course of the day, from the damp early morning to the dark night. Whatever the stage of crop or the time of day, the Case IH headers help save more crop and leave an even stubble on the field.

## A WIDE RANGE OF HEADERS

No matter the crop, Case IH’s comprehensive range has the right header for the job. The 3050 header gives you maximum performance in grain and oilseed. The industry leading Case IH 3020 flex header and the 4R-4F series draper header were developed especially for careful handling of soya beans or processing of flattened crops. Their secret: a centrally-driven, flexible cutterbar that closely follows the contours of your field. The 4400 corn header and the 3016 pickup developed and manufactured by Case IH round off the diverse range.

## A SOLUTION FOR EVERY CROP

HEADER	CROP
 2030 - 3050 Grain header	All cereal crops (wheat, barley oats, plus canola/rapeseed)
 4R - 4F Draper header	Cereals / soybean
 3020 Flex header	Soybeans and oilseed crops (low to the ground)
 4400 Corn header	Corn / maize
 3016 Pickup header	All windrowed crops (grass, clover, cereals and canola/rapeseed)

## BENEFITS

- The combine recognizes the header and its most recent adjustments
- Enhanced crop flow and improved feeding into the combine
- Smooth crop flow and reduced wear
- Large header range to harvest in all crops





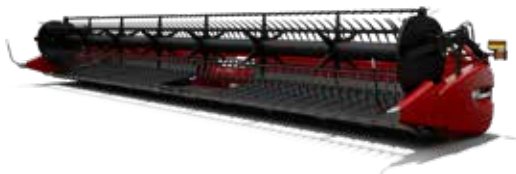
### 2030-3050 GRAIN HEADER – THE SOLUTION FOR HIGH YIELDS

- Available working width from 6.1 m to 10.7 m
- High speed harvest
- Automatic reel speed control
- Telescoping the knife on the move to cater for high capacity harvesting in long and short straw conditions (3050)
- Crop lifters available for laydown crop conditions



### 3020 FLEX HEADER – THE SOYBEAN SPECIALIST

- Available working width from 6.1 to 10.7 m
- Flexible knife runs close to the ground to gather all low hanging pods
- Fully adjustable suspension system, with the option to control it from the cab
- In rigid mode the header can also be used for all other grain harvesting applications



### 4R-4F DRAPER HEADER – RETAIN EVERY GRAIN

- Available working widths from 9.1 m to 10.7 m
- High speed harvesting in straw crops and rape seed without losses
- Easy serviceability
- Central knife drive for balanced performance



### 4400 CORN HEADER - NEW GENERATION

- Available row units 6 to 12 rows rigid and folding
- Chopping/non-chopping capability
- Low profile divider design
- Heavy duty drives
- Easy serviceability



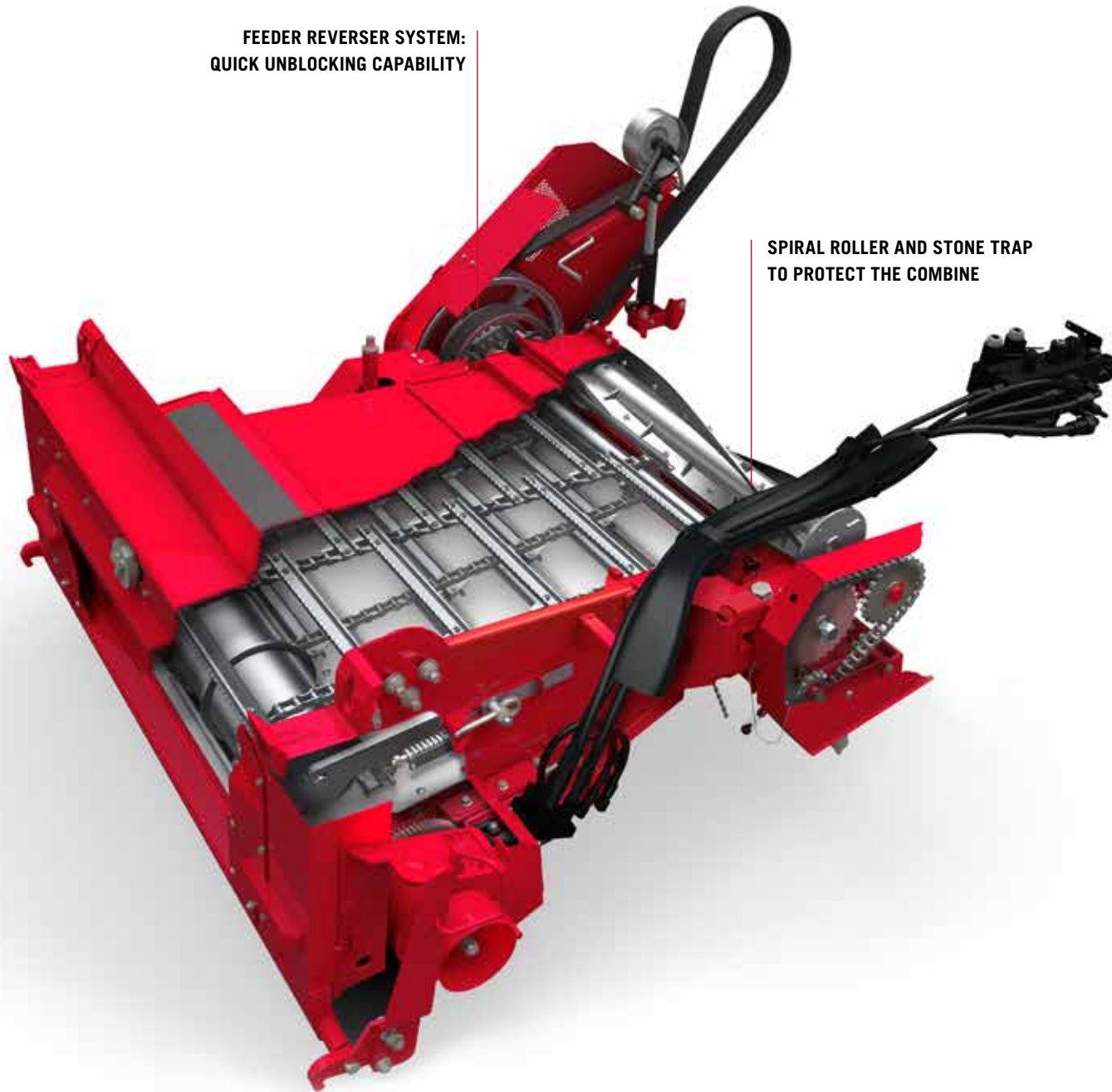
### 3016 PICK UP - PICKS UP THE LARGEST WINDROWS

- Clean and gentle pick up of large single or multi windrows
- Accurate pick-up contour-following via adjustable gauge wheels
- Suits all types of crops and high forward speeds
- Easy maintenance and serviceability



**FEEDER REVERSER SYSTEM:  
QUICK UNBLOCKING CAPABILITY**

**SPIRAL ROLLER AND STONE TRAP  
TO PROTECT THE COMBINE**





# HEADER AND COMBINE

Perfectly matched

**Axial-Flow combines and Case IH headers are the perfect match to maximise output potential. High grain quality and smooth harvesting under every condition – that is what the Axial-Flow is built for.**

## THROUGHPUT BEGINS HERE

Our headers are designed to perform at their best in every condition, for maximum productivity and protection of grain quality in which ever way the harvesting environment may change.

## QUICK COUPLING

With an Axial-Flow, changing headers is exceptionally quick. All headers are conveniently coupled to the combine from the left hand side with a single latch connects all hydraulic services. Plug in the electrical connection, couple the PTO shaft, and in just a few minutes you are ready to start harvesting again.

## PERFECT GROUND HUGGING HEADERS

Our Axial-Flow 150 Series combine harvesters are equipped with a fully automatic field tracking system for header height control. This system is controlled electromechanically using potentiometers and skids underneath the header, keeping the header parallel to the ground contours and leaving precise, even stubble, ideal for uninterrupted tillage operations.

## FEEDER ENHANCEMENTS

The 6150 and 7150 combines easily manage 10.7 m headers when fitted with the 85mm lift cylinder option. Benefit from a lift capacity of up to 4,000kg.

## FEEDER WITH APPETITE

Performance of the Axial-Flow combine harvesters begins with the high-performance feeder housing. The rugged feeder with the ability to handle up to 10.7 m headers (on 6150 / 7150) matches the volume requirements of the threshing and separating systems. The service-free hydraulic feeder drive belt tensioner allows higher reliability to let you handle harvesting with ease and confidence.



Mount the header in a matter of minutes with the single latch that connects all hydraulic functions

## BENEFITS

- 85 mm lift cylinders  
- allowing 4,000 kg lift capacity
- High-strength elevators to easily handle the largest headers.
- Excellent ability to pick up laid crop and minimise losses.
- Minimal maintenance means low total cost of ownership.



Case IH Terrain Tracker technology ensures that an exact cutting height is maintained across uneven fields.







# FROM THE INVENTOR OF AXIAL-FLOW

The single rotor system

Case IH launched the world's first range of combines with single rotor threshing and separating over forty years ago. Gentle, grain-on-grain threshing soon proved to be extremely effective in reducing grain loss through effective separation. Axial-Flow combines soon gained a reputation for low levels of grain damage.

Today, this system is a hallmark of Case IH combines. Being an innovator has given Case IH years of experience – and we continue to lead the market for single rotor combine harvesters. Case IH designers continue to innovate, looking toward the future and the challenges farmers will face tomorrow.



**WIDE RASP BARS FOR HIGH CAPACITY  
THRESHING AND SEPARATION**



- Corn
- Beans
- Rye
- Clover
- Barley
- Rapeseed
- Wheat
- Peas
- Rice
- Sunflower
- Soya
- Grass

# SINGLE ROTOR TECHNOLOGY

for higher capacity

At the heart of every Case IH combine is the rotor. It has been further developed to meet the most different harvesting conditions all around the world.

## BEST IN CLASS GRAIN QUALITY

Cracked grain is the bane of good sample quality, not only because of the damaged kernels themselves, but also because they can be easily blown out of the back of the combine. With the benefits of Axial-Flow threshing Case IH combines consistently deliver top quality grain samples. Rasp bars are arranged in four spirals around the rotor, for improved threshing and better straw quality in tough conditions.

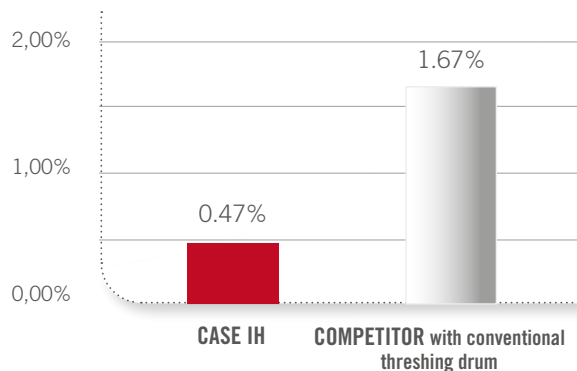
## DON'T WASTE TIME CHANGING THRESHING CONCAVES

The rotor compartment is accessible from either side of the combine and the interchangeable modules are easy to remove and change for different crops - a true Axial-Flow benefit. The Threshing and Separation areas can be customized following different yields and conditions.

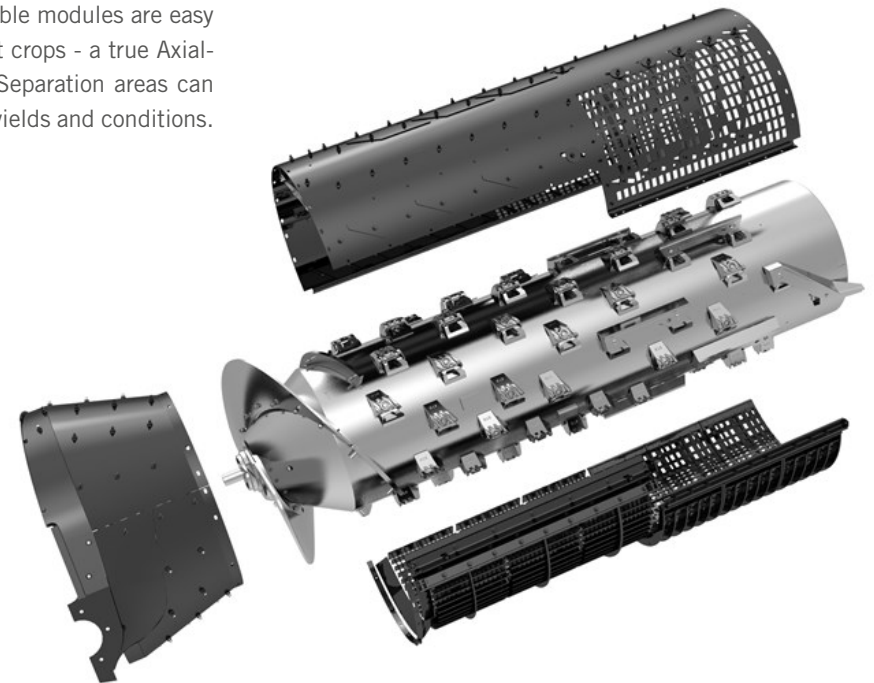
## ADVANTAGES

- Gentle but thorough threshing protects crop quality bonuses.
- One rotor threshes and separates – fewer moving parts to worry about.
- Top quality grain – unbruised and undamaged – strengthens your bargaining power when selling.
- On-the-go rotor speed and concave opening adjustment: increased daily performance and revenue.

AVERAGE CRACKED GRAIN CONTENT



Observed by: Agricultural Chamber of Upper Austria





# SINGLE ROTOR THRESHING

## Gentle threshing means more top quality grain

### FROM THE INVENTOR OF AXIAL-FLOW

Introduced in 1977, the first Axial-Flow combine stood out from the traditional straw walker design, in that threshing and separation were now performed by a rotor. At that time, the new rotary design was the first of its kind to be mass-produced and represented a giant step forward for farmers, with increased capacity translating to a significant boost in productivity. But while the principle has remained unchanged, with each range development Case IH engineers have utilised the very latest technology available to meet future farming needs.

Axial-Flow 150 Series combines benefit from that same forward thinking, and incorporate some of the very latest concepts not only in threshing and separation, but also in areas from cleaning to unloading, from engine to transmission technology. The end result is a combine range built not just to meet today's farming challenges – but to take on tomorrow's too.

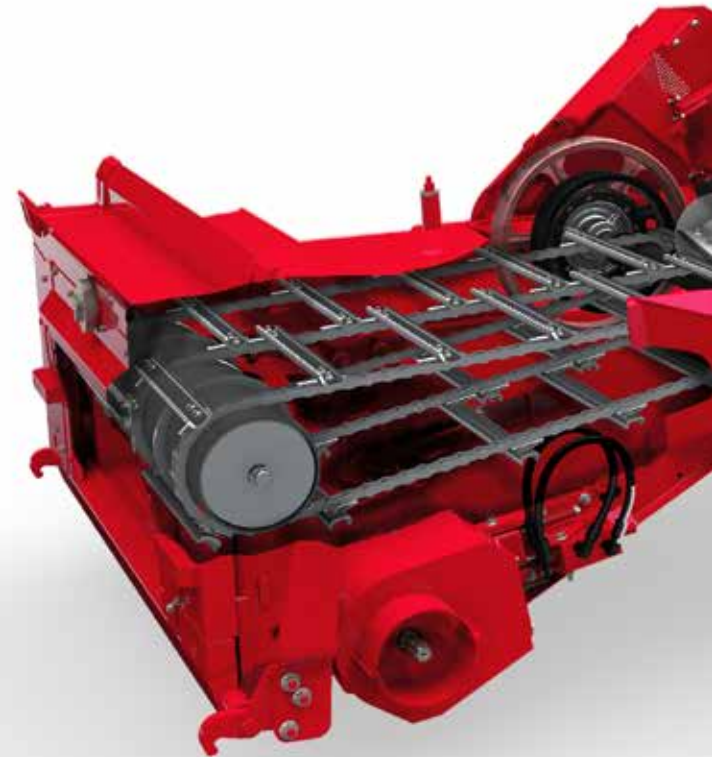
### UNDAMAGED GRAIN GETS A BETTER PRICE

The grain-on-grain threshing action of Axial-Flow not only limits grain losses in the field through more effective separation, but also ensures that what goes into the grain tank is clean and high quality crop, adding revenue to your bottom line. There is no high-impact conventional drum like that used in conventional or hybrid combines, and the transition from threshing to separation is completely seamless. Centrifugal forces ensure perfect separation even in the most difficult conditions.

---

### BENEFITS

- Centrifugal force grain separation for gentle threshing and separation
- The impeller design and multiple rasp bars provide total crop threshing and mat control even in tough conditions
- Continual crop contact and pressure ensures positive crop control and maximum throughput.





#### FEEDER

- Designed to operate headers up to 4000kg
- Higher reliability and less servicing: service free hydraulic feeder drive belt tensioning
- Spiral roller and stone trap for optimal protection

#### ROTOR

- High quality grain is key benefit
- Grain on grain threshing

#### CLEANING SYSTEM

- Clean grain
- Fingertip control sieve adjustment from the comfort of your cab
- High capacity feeding of the cleaning system with six augers

#### STRAW MANAGEMENT

- Easy and quick switch over from spreading to windrows
- Straw management of a combine sets the baseline for next year's crop
- Open the fields by chop and spread and then switch over to swath using the in-cab switch over option









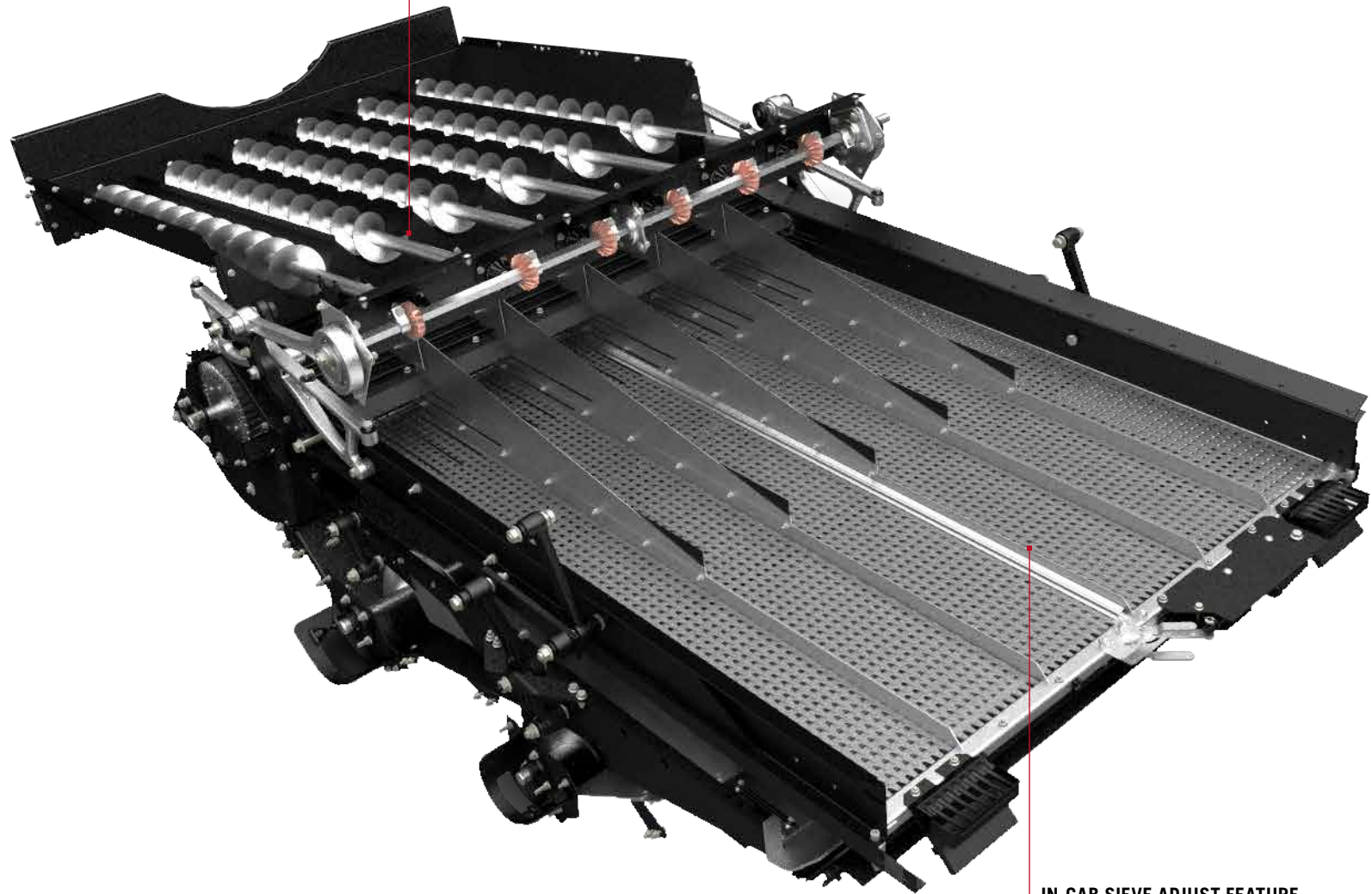
# A CLEANER CROP FOR A PREMIUM PRICE

The cleaning system

An essential metric of a combine is how quickly it can move a large quantity of grain from the cleaning system to the grain tank. No matter the harvesting conditions, Case IH's innovative cleaning system separates the crop from the chaff.



**SIX AUGER BED SYSTEM**



**IN-CAB SIEVE ADJUST FEATURE**

# THE BEST GRAIN QUALITY

with Cross Flow Cleaning System

Axial-Flow combines have always been acknowledged for thorough threshing and clean crop samples. If there are two things that a combine is rated on, it is how well it threshes, and how well it cleans. Chaff and straw have no place in a grain tank, and that is why Case IH puts a great deal of design thought into creating a combine with one of the best threshing, separation and cleaning systems on the market.

## CLEANING SYSTEM

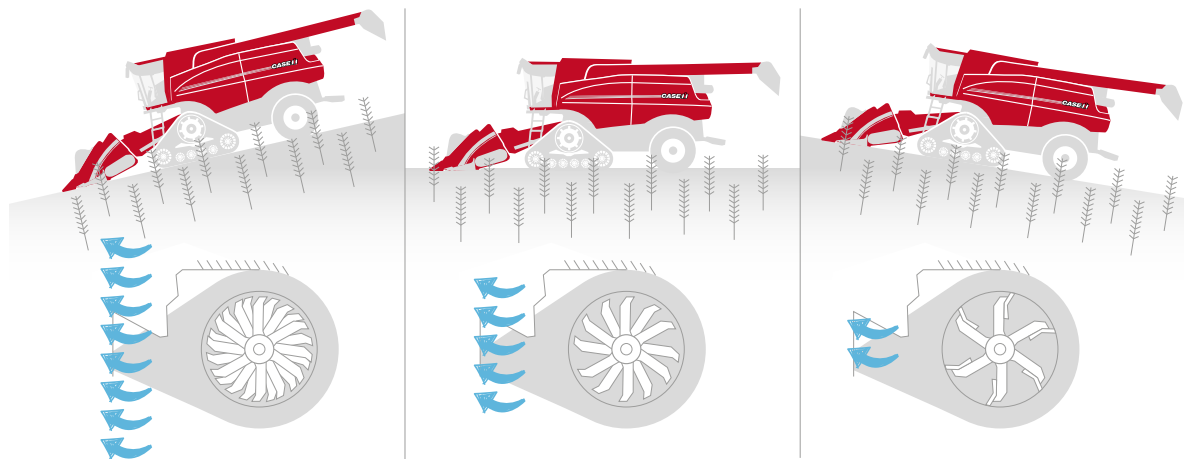
It's not just the rotor that makes the Axial-Flow different: the cleaning system also stands out for its efficiency and convenience. It uses the proven chevron shaped CROSS-FLOW FAN that generates a high volume of air. The result is higher cleaning capacity, with sieves adjustable from the cab. Each sieve is able to operate at an ideal stroke length, and the opposing motions of the sieves cancel each other out, resulting in a smoothly operating cleaning shoe. Short straw is virtually eliminated, resulting in a cleaner grain tank sample. A fully-adjustable pre-sieve means Axial-Flow 150 Series combines can adapt to all crops and all conditions.

## AUTO CLEANING FAN SPEED ADJUSTMENT

The optional cleaning fan speed adjustment can compensate up and downhill up to 11° increasing or reducing fan rpm based on the slope. Cleaning efficiency is guaranteed minimizing losses.



Removeable auger pan (available on Comfort Package)





# MORE IN THE TANK, MORE IN THE BANK

Feel proud of your harvest

## GENEROUS GRAIN TANK FOR MORE EFFICIENT HARVEST LOGISTICS

Axial-Flow 150 Series combines are designed to put large quantities of clean, high quality grain in the tank – and fast. Once crops are ripe and ready, we know your priority is to get them off the field and into the shed as quickly as possible.

## SPACE FOR EVERYTHING, WITHOUT COMPROMISES

Every Axial-Flow model has a grain tank that is designed to be large enough to allow the opening up of large, high-yielding fields without the inconvenience of having to stop and unload. A new high capacity elevator allows high speed harvesting of high yielding crops like corn. There is sufficient grain tank capacity to work in high yielding crops and large fields while leaving enough time between unloading cycles.

## MORE FILLING CAPACITY AT THE PUSH OF A BUTTON

Optional, electric grain tank extension folding function, makes for easier transport/storage, as well as fast-acting protection if the weather turns bad. The open style extensions widen the grain tank towards the top, to ensure maximum fill without spillage when working on rolling fields. The central grain tank filling auger reaches high over the top to keep filling efficiently without crop pushing back.

## EASY ACCESS FOR MAINTENANCE AND SERVICE

When it is necessary to enter the grain tank for servicing, maintenance or cleaning, Case IH engineers have made the task safer and simpler. A ladder makes it easier to gain full access when necessary. No tools are required to extend or retract the standard grain tank extensions. Axial-Flow combines are designed to ensure you spend more time in the field, and less time setting up and servicing.

---

## BENEFITS

- Top pivoted, inclined unloading auger allows enough space to safely unload the grain into high-walled trailers.
- Easy view to the unloading auger from the comfort of the cab without any obstructions.



**GRAIN TANK CAPACITY:**

**5150** 8810 l - 9200 l  
**5150 / 6150 / 7150** 10,570 l

**UNLOADING RATE**

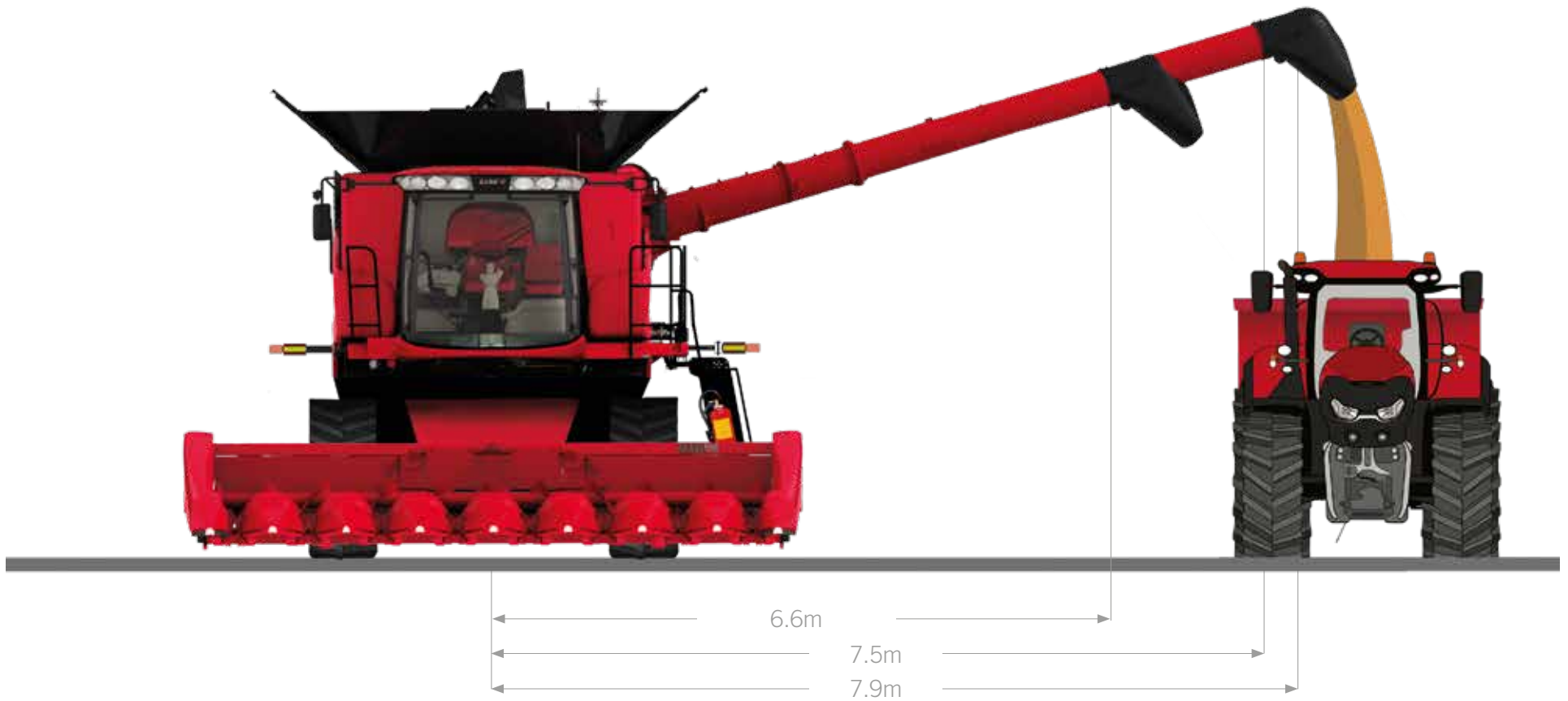
**113 l/sec**





## WITHIN REACH

Choice of two auger lengths reduces in-field wheel tracks



# WATCH YOUR CASH FLOW

## High-speed unloading

### FROM GRAIN TANK TO TRAILER – FAST

The high-speed unloading feature considerably reduces unloading time, a particularly welcome in high-yielding crop conditions, improving overall performance during the harvest day. Less time wasted when unloading on the headland means greater productivity, especially beneficial when the weather is against you.

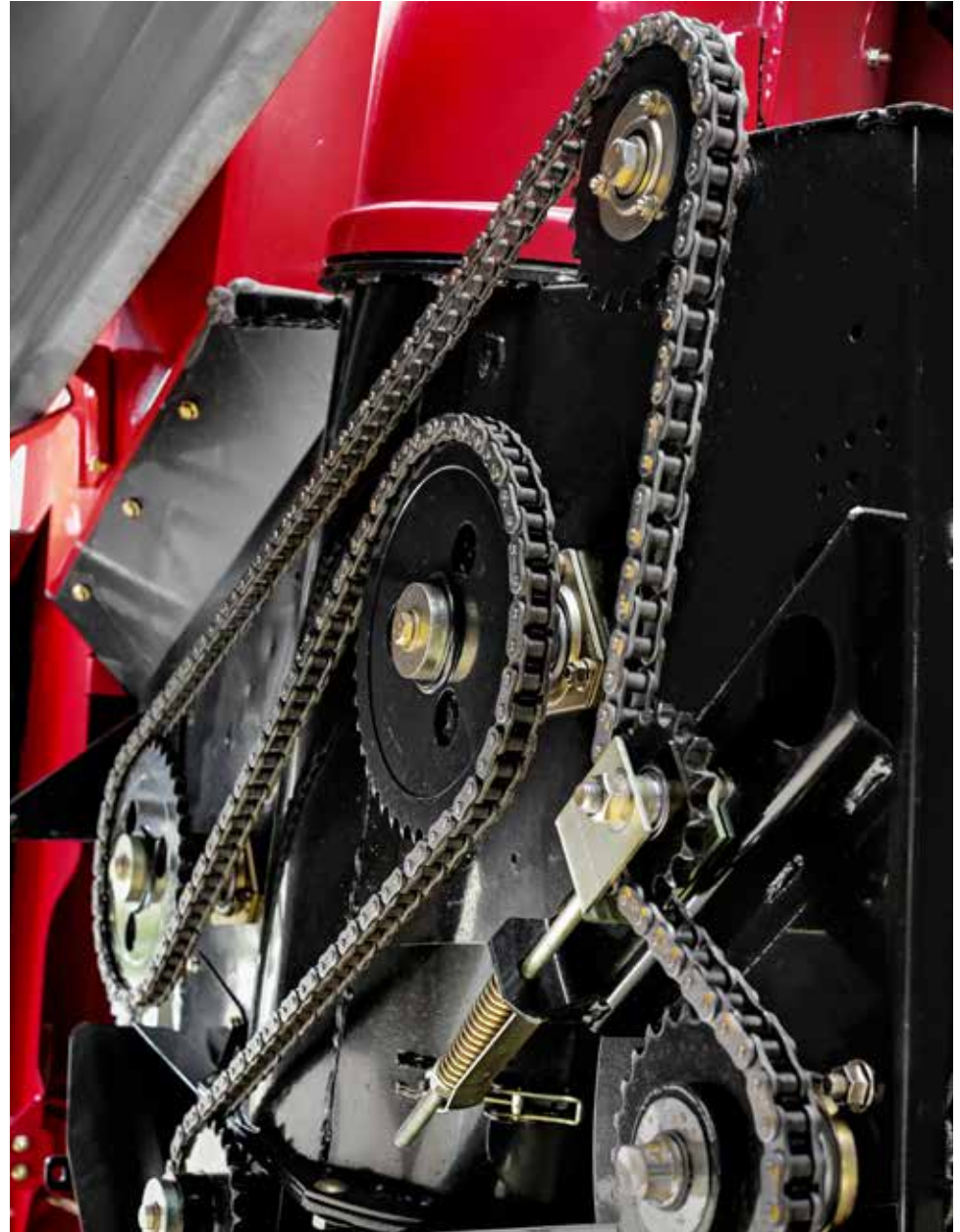
Case IH combines utilise the top unloading principle to load into high-sided grain trailers and chaser bins quickly and easily.

### UNLOADING AUGER

The auger lengths on all Axial-Flow models allow you to maintain a comfortable distance between the header and the grain trailer while unloading on the go.



The pivot spout option, operated with the multi-function handle, directs the grain stream into the grain cart filling it to the top without spillage.











## RESIDUE: MANAGED

Getting a head start on next season

Regardless of how you manage your fields, the combine represents the transition from one season to the next.

How you spread the chopped material matters for subsequent crop establishment, whether via full-, minimum- or no-tillage systems, your straw should be chopped consistently during the day and spread out evenly.



# INNOVATIVE STRAW MANAGEMENT

The start of the next season

Whatever your cropping programme, a combine that has left behind evenly-spread and finely-chopped straw is a good start for the next tillage process, whether that is ploughing, minimum tillage or direct drilling. That is what you get with the latest Case IH straw choppers. If you choose to bale your straw, though, you will find that Axial-Flow combines produce neat, easy-to-bale swaths.

## UNIQUE INTEGRATED CHOPPER

In chopping mode, the unique integrated chopper lacerates and cuts the straw for fast decomposition

before the next planting season. Fixing the counterknives into preset positions in the straw channel allows the chopping aggression to be altered according to the conditions. In windrow mode the counter knife is extracted and the chopper works at reduced speed to place the straw in a neat windrow for efficient baling.

## SHARP BLADE, FINE CHOPPING

The position of the counter-knives can be regulated easily with just a lever on the left side. Seven different settings are available for different lengths of straw.

A shear bolt protects the counterknives against overloading caused by material backup. For customers that requires higher chopping intensity, a row flail chopper is available to satisfy the most demanding conditions.

## SPREADING

The chopped material can be spread over the entire header width thanks to the high efficiency mechanical spreader. This solution provides not only great efficiency, but also reduces the overall straw management complexity and ensure easy maintenance.

---

## BENEFITS

- Easy switching from chopping to swathing allowing quick changeover in the field
- Simple manual adjustment for chopper speed change
- Quick adjustment for 7 different counter knife positions
- Allows spreading of long straw to speed up drying in bad crop/weather conditions







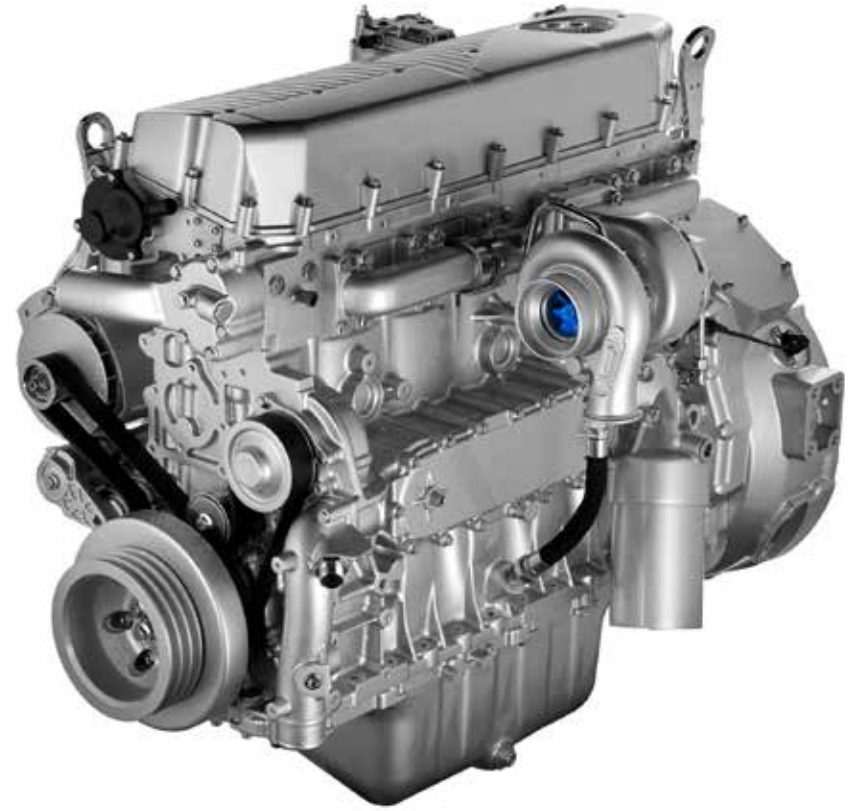
# POWER MEETS ECONOMY

Efficient power transmission

Our engines deliver economic fuel efficiency without sacrificing peak load power. The secret lies in ensuring that the power is transmitted to the threshing elements and the driveline as efficiently as possible.







	5150	5150 Comfort	6150 and 6150 Comfort	7150	7150 Comfort
<b>Number of cylinders</b>	6	6	6	6	6
<b>Capacity (cm<sup>3</sup>)</b>	6,700	6,700	8,700	8,700	8,700
<b>Power at rated speed (kW/HP)</b>	200 / 272	205 / 275	260 / 348	277 / 378	280 / 375
<b>Maximum power (kW/HP)</b>	231 / 315	220 / 295	305 / 409	320 / 436	330 / 442



# AXIAL-FLOW ENGINE

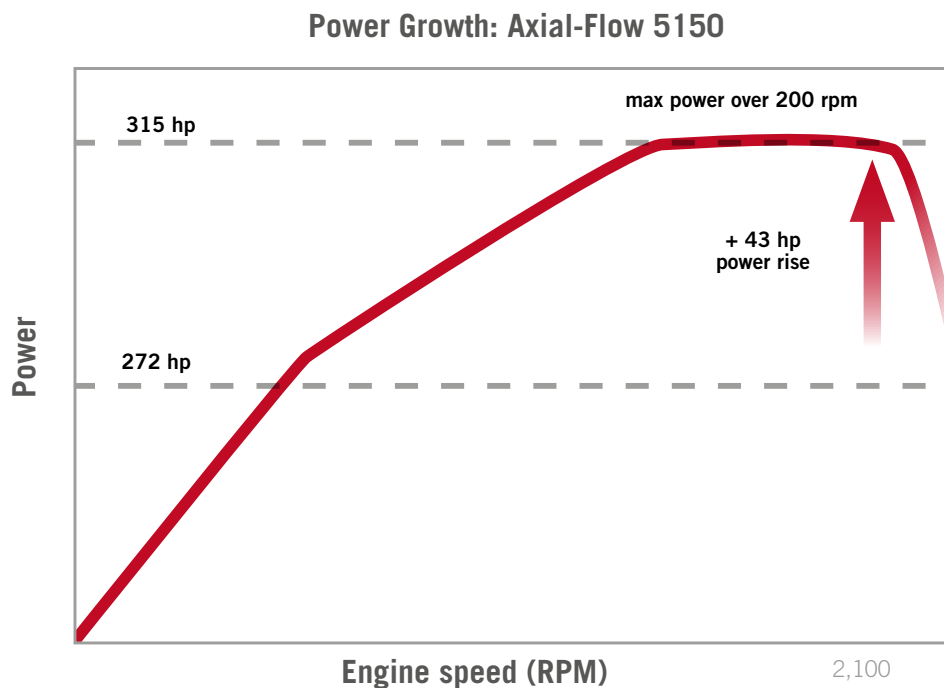
More power than ever

With the new 150 Series combines, you will enjoy power delivered whenever you need it. The FPT Industrial engine line used in the Axial-Flow 150 Series combines is a reliable, proven performer. The NEF 6.7 (5150) Cursor 9 (6150 and 7150) are designed for optimum fuel efficiency, whilst providing the power needed to respond quickly to changing conditions in the field.

## POWERFUL ENGINE, LOW FUEL CONSUMPTION

Featuring electronic fuel injection, these engines deliver power growth when you need it; so you can always harvest and unload at the same time in even the toughest conditions. In addition to its remarkably low fuel consumption, the engine is both quiet and environmentally sound. The 950 litres fuel tank (6150 and 7150) holds more than enough for a full day in the field.

The 5150 will benefit from an additional 20 hp of maximum power reaching the impressive 315 hp with his 6.7 lt engine. The new max power will allow a significant capacity increase and the huge torque back-up will allow the machine to harvest any kind of crop in toughest conditions.



A high power reserve and constant power characteristic provide consistent capacity in rolling topography and lodged harvesting conditions

# LESS COMPLEXITY

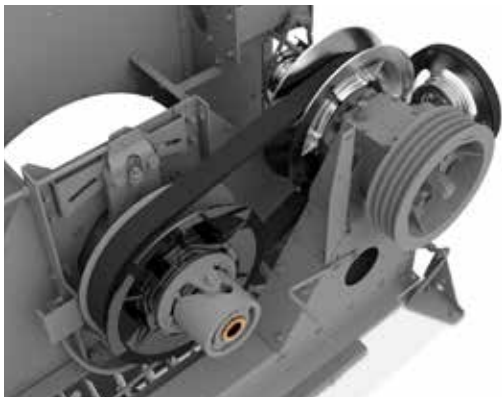
More time in the field

## DRIVELINES

The drives for the whole combine are powered from a central gearbox mounted directly to the engine for maximum efficiency. Indeed, Axial-Flow is unique in that all the principal power transmission is achieved without the use of belts, avoiding the problems associated with slip, wear, maintenance and replacement.

## POWERFUL ROTOR DRIVE

The on-the-go adjustable variable speed, belt drive for the rotor utilises a stronger belt to transmit the power for high throughput on the 6150 and 7150 combines. Its “torque sensing” ability tensions the drive automatically for high power demands.



## UNCOMPLICATED DRIVELINES

Case IH is known for using very few and very practically placed drivelines, so that access remains easy to all service points.

## TURNING RADIUS

Thanks to the short combine frame and the impressive turning radius, the Case IH Axial-Flow 150 Series combines offer outstanding maneuverability in the field – making headland turns a quick and easy task.







7150

CASE





# THERE'S NO PLACE LIKE AXIAL-FLOW

Best-in-class cab comfort

The best combine is useless if it is too difficult to drive for extended periods of time. Today's combines and operators work long hours, handling high-yielding crops and delivering optimal quality. A combine cab must protect the operator from the elements and keep them alert and productive by means of intuitive operation and maximum comfort.



# THE AXIAL-FLOW CAB

Your home away from home

Open the door to your Axial-Flow combine's cab and step into a world of comfort. Long, tiring working days are made a little more bearable in one of the quietest, most spacious and most comfortable cabs on the market. With rubber cab mounts to reduce vibrations and an instrument console within easy reach on the arm rest, you can sit back and get the job done.

## EASY COMFORT

The cab is accessed via the foldable steps which lead to a spacious deck. Open the cab door to reveal a comfortable workspace with storage for anything you'll need during those long harvest days. The ergonomic layout, an air suspended operator seat, low noise levels and an unrestricted view all contribute to ideal working conditions for the operator.

## NO LIMITATION ON YOUR WORKING DAY

When it's time to harvest, crops have to be removed from their fields fast. Harvesting often extends late into the night to make use of optimal weather and crop conditions. LED Lights on the roof of the cab completely light up the work area. Additional lights in the grain tank, on the unloading auger and at the rear of the combine ensure all critical areas are fully illuminated.



Choose the lighting package that suits your needs



You won't tire of this cab

# TAKE A CLOSER LOOK.

## The details matter

### **GREATER OPERATOR PERFORMANCE FOR MORE GROUND COVERED**

Harvesting means getting the reward for all the hard work invested throughout the season. Enabling you to spend long and productive days on your combine without being worn out, therefore is at the core of our engineers' efforts when developing and designing combine cabs.

### **EXCELLENT ERGONOMICS OF BOTH TOUCHSCREEN AND BUTTONS**

The cab features ergonomic layout to give you full control at all times, with an unobstructed field of vision, a comfortable seat and plentiful leg and foot room, the Multifunction Propulsion Control Lever which is conveniently integrated in the right armrest, and the control panels integrated on the right hand pillar of the cab. Working in such an environment is rewarding – not only because it means earning your income but also because you will be experiencing a powerful mix of comfort, productivity, and tangible results.

### **OPERATIONS CENTRE**

With the instrument panel on the right hand, all important data and settings are available at your fingertips, letting you handle and operate your combine efficiently and with ease. The screen arrangement is logically configured. The driver's view remains unobstructed, while the control of the header's corners is easy, allowing the operator to fully concentrate on the harvesting process.





# COMFORT PACKAGE

Even more options, even more comfort

When frequent change to the threshing configuration is required, or for those who want additional luxury, the Axial-Flow 150 Series Comfort package offers:

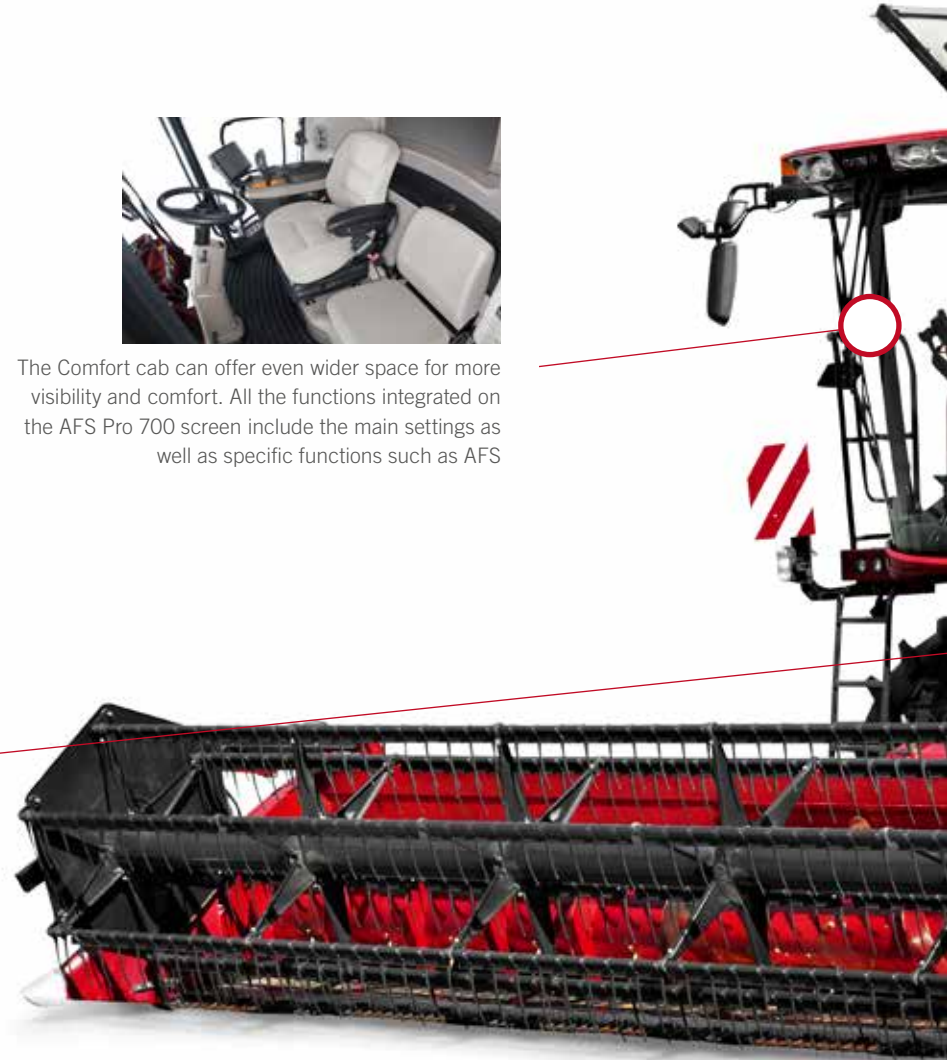
- Comfort cab, including the AFS Pro 700 monitor as standard
- Lightweight threshing concaves
- Hydraulically driven spreader
- 2 speed feeder (optional)



For corn harvesting, the optional two speed feeder allows the operator to optimize picking speed, avoiding overloading the combine on one side and preserving corn integrity on the other.



The Comfort cab can offer even wider space for more visibility and comfort. All the functions integrated on the AFS Pro 700 screen include the main settings as well as specific functions such as AFS





Hydraulically driven spreader allows the operator to get the proper set-up in any condition and for any cutting width. The possibility to swing the two paddles aside allows easy access to the sieve area.



The 6 module lightweight concaves offer easier handling. The threshing set-up can be customised very easily, depending on the field and crop condition.





A white box containing four icons: a funnel, a gear, a leaf, and a Wi-Fi symbol.

Slip  
3 %

Engine Power  
91 %

Several floating windows displaying data tables and maps, overlaid on the scene.


# PRECISION FOR SUCCESS

Save costs with Advanced Farming Systems (AFS™)

As one of the leading agricultural manufacturers of precision farming technology, Case IH and offers a range of applications that combine information input and the unique AFS Connect telematics portal into a goal-oriented data management system for registered machines. This pioneering role is underlined by value-adding features such as the latest Advanced Farming System (AFS™). With repeatable accuracy, reduced overlaps, lower operating costs, and maximisation of profits, AFS ensures both precision and success.



Ground Speed  
6.0 km/h




Engine Power  
54 %



Coverage Area  
26.3 ha

Fuel Rate  
89.3 l/h





# CASE IH AFS™

## Advanced Farming Systems

Case IH Advanced Farming Systems (AFS) pay for themselves. Take advantage of hardware and software – all-in-one and from a single source: the perfect solution for you.

Case IH AFS stands for an extensive range of practice-oriented solutions that help you farm and manage your fields more efficiently than ever before. Take advantage of what is doubtlessly the most important advancement in modern agriculture since the start of mechanisation, and benefit from increased control, productivity, efficiency and precision. Case IH AFS solutions are logical, easy to use and intuitive, and they become second nature in next to no time. This is how we understand the demands of modern farmers.

### ON THE RIGHT TRACK – AFS ACCUGUIDE GPS-CONTROLLED AUTO-STEERING

In conjunction with AFS AccuGuide, the mechanical Row Guidance ensures the combine follows the rows in corn crops. It takes the stress out of harvesting at high forward speeds and when using wide headers, thus reducing operator fatigue and boosting productivity, to exploit the combine's full performance capabilities.

### FAR MORE THAN JUST A SAVING ON FUEL – THE AFS ACCUGUIDE EFFECT:

- Optimised machine usage
- Improved comfort by reducing operator demands
- Savings on fuel and labour costs
- Less time spent in the field
- Reduced skips and overlaps – improved efficiency
- Perfect work in poor visibility conditions without compromise

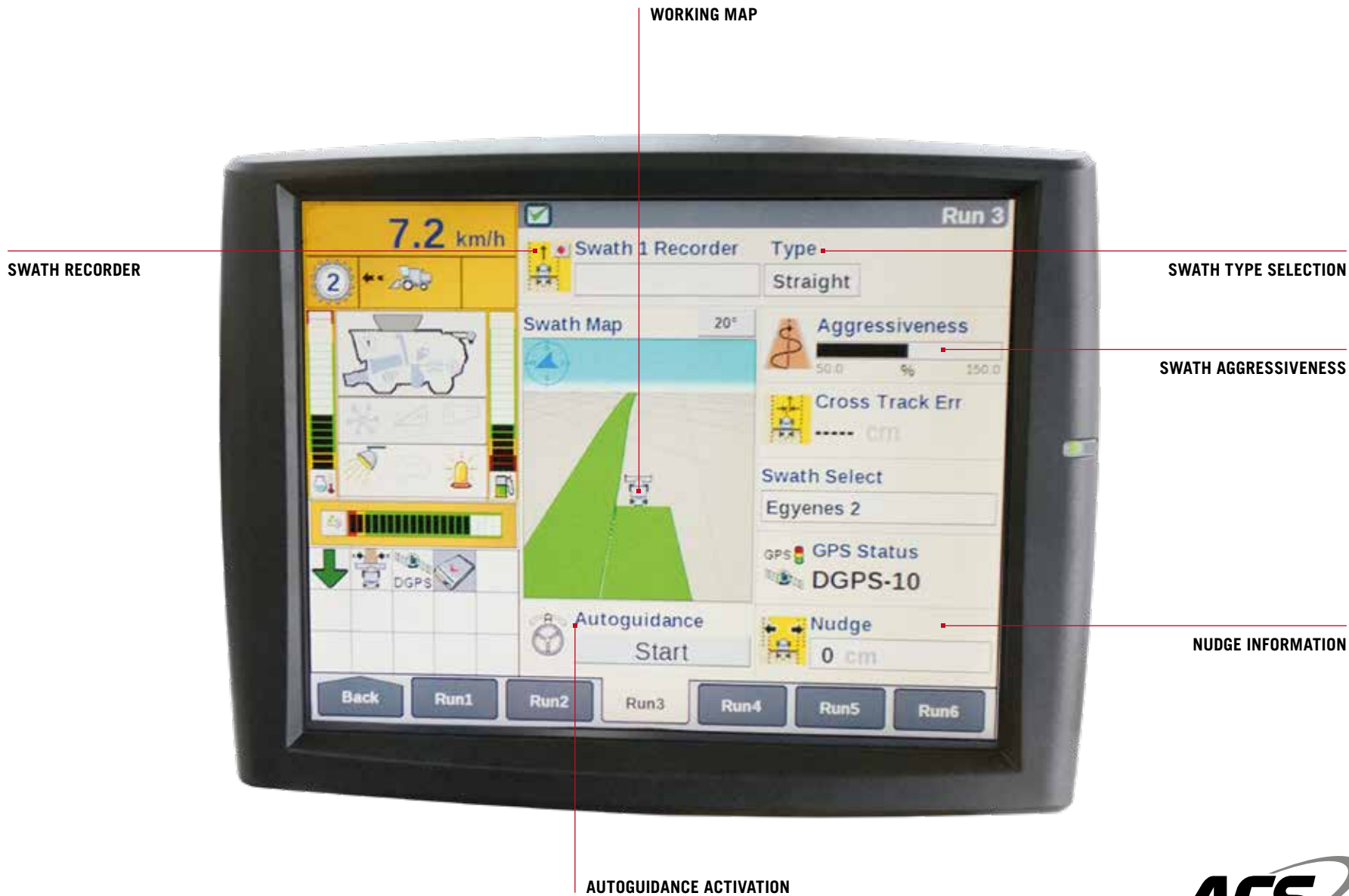


AFS 372 receiver

---

### ADVANTAGES

- Straight tracks and windrows; comfortable for high speed baling.
- Reduced skips and overlaps improve field efficiency and guarantee an even spread of residue, improving soil health.
- High productivity even with poor visibility during night.
- Year-on-year repeatability driving on the same track resulting in minimal compacted field area.





# AFS CONNECT

Manage your farm, fleet and data remotely



**AFS Connect lets you remotely monitor and manage your farm, fleet and data, allowing you to optimise your performance, productivity and flexibility. Efficiently visualise your equipment with little to no idle time. With all the information at your fingertips, you can successfully manage your operations anytime, anywhere!**

## USER-FRIENDLY INTERFACE

- New, intuitive and redesigned interface with all information at your disposal
- Ergonomic platform divided into 3 sections: fleet, farm and data

## TIME-SAVING MANAGEMENT

- Visualisation of data from multiple machines in one field
- Manage your activity and transfer data from your office to machines and vice versa

## MAXIMUM PRODUCTIVITY ENHANCING DECISION MAKING

- Notifications and visualisation of critical operating parameters
- Connect and share securely with Application Programming Interface (API)

## Go anywhere, see everything

### RECEIVE UPDATES ON YOUR DAILY OPERATIONS

- See, share and manage data on the go, in real time, from any device
- View updated machine telematic data and fault codes remotely

### THE ULTIMATE SOLUTION FOR WHEN YOU'RE ON THE MOVE.

- Live vehicle map allows lets you find machines' locations and get driving directions
- Share vehicle info, location and directions with various apps (e.g. WhatsApp) on your phone





## FARM MANAGEMENT

### GET MORE DONE EACH DAY

Optimise your time by easily organizing your fields, applications and agronomic data

## MANAGE YOUR COMPANY

Managing your fields and your data can be time-consuming. AFS Connect optimises your time by easily organising your fields, applications and agronomic data. With a wealth of information at your fingertips, you can boost your operation's performance.

- **Data visualisation:** access agronomic data in near real-time for all your seeding, application and yield activities. Included: topographic, weather, equipment, or prescriptions information.
- **Reporting:** capture all of your critical farming information on the go or directly from your equipment. Plan upcoming activities, manage logistics, share data with your trusted advisors and make informed decisions.
- **Usability:** Keeping track of everything going on in your operation has never been easier. Whether you're on the road, in the field or at the office, the intuitive user interface keeps you informed.



## FLEET MANAGEMENT

### TRACK, MONITOR & MANAGE YOUR ENTIRE FLEET

Efficiently track your equipment's location & view machine parameters in real time

## MANAGE YOUR PRODUCTIVITY

When all your equipment operates efficiently with little to no idle time, you have the peace of mind that comes with working smarter and knowing that you're doing all you can to make the most of each growing season.

- **Fleet overview:** access key information with detailed performance values for each machine by vehicle type. The map overview allows visualisation of connected equipment to more efficiently execute infield operations and coordinate the fleet.
- **Vehicle details page:** access recent machine operations and get a 7 day report of the vehicle status by hours and fuel usage.
- **Fault history and notifications:** view and filter the faults shown to the operator on the in-cab displays. Configure and setup notifications such as vehicle speeds, oil temperature, engine load or fuel level and receive them via web or via text messages.



## DATA MANAGEMENT

### CONNECT AND SHARE DATA

Securely share your farm data with trusted partners, anytime, anywhere

## MANAGE YOUR DATA EXCHANGE

Seamlessly manage, share and move data — all while ensuring you stay in complete control with your preferred trusted business partners.

- **Secure data sharing:** Securely share selected data with trusted partners while keeping complete control on who can access each piece of generated data.
- **Third-party partners:** wirelessly transfer two-way data between AFS Connect and trusted third-party suppliers (AgDNA, Cropio, Farmers Edge™, Trimble® Ag Software, Climate Field View...) to make the most of agronomic data and drive daily management decisions.
- **Solutions for mixed fleets:** Case IH customers benefit from a comprehensive solution for sharing data thanks to two recent partnerships:
  - DataConnect is a new cloud-to-cloud interface, in partnership with CLAAS, 365FarmNet, John Deere and New Holland. Mixed-brand fleets owners can look forward to easier data exchange and management without compatibility issues.

- With the universal data transfer hub Agrirouter (including many other tractor and implement brands like AGCO, SDF, Krone, Pöttinger, Lemken, Kuhn, etc., list available at <https://my-agrirouter.com/en/agrirouter/brands/>) to help ensure compatibility of tractor and implement data management systems.









## BE A FARMER.

We take care of the rest

The Case IH commitment is to be there for owners when they need aftersales advice. That's why we have put together a comprehensive service package for our customers. We build on a strong local network in order to be there as quickly as possible in an emergency, and offer you a comprehensive customer service program.

These services range from technical support, advice regarding AFS questions, pending service checks, and organisation and provision of the right spare parts, through to the correct financing of your Case IH product. Everything tailored to your needs and our products – just as services should be.





# DAILY CHECKS AND MAINTENANCE

Don't lose precious time – be in the field within 20 minutes

With a design that's centred around fewer moving parts than on any other combine, you can get going while others are still in the yard. Daily service points are simple to access via easy-to-raise side panels and the trademark Axial-Flow spacious rear engine deck.



## DAILY INSPECTION IS EASY

All inspection points are accessed from ground level, or a conveniently placed step. Side shields fold upwards, providing protection against weather elements and the sun. The engine and grain tank are accessed conveniently from a foldable ladder giving access to a large service deck. An optional on-board airline means there is no need for a separate compressor to clean down the machine. Once the day is over, thoughtful touches include a large water bottle and dustproof toolbox to secure away valuable items plus an optional hand wash station.



## BENEFITS

- Simple servicing and daily checks means more time spent harvesting.
- Easy access to the concaves and rotor allows quick servicing or repairs.
- Spacious access to the engine and cooling system for quick and safe daily maintenance.
- Benefit from more productive time in the field.
- Convenient access with fewer belts and chains to adjust and maintain.
- Tool box and battery box position allows an easy access to the concave area.



# SERVICE TEAM.

Be a farmer. We take care of the rest.

The Case IH **SERVICETEAM**, a strong dealer network backed up by local Case IH market teams, industry-leading Case IH support tools, modern training methods, best-in-class spare parts support and logistics performance, providing Case IH customers with an excellent all-encompassing after-sales service, keeping customers farming!

## GENUINEPARTS

### WE KEEP YOUR EQUIPMENT RUNNING.

Your local Case IH dealer and our dedicated 24/7 parts call centre technicians and their logistics colleagues are all part of the Case IH ServiceTeam network. They're highly trained to give you expert advice and solve problems, ensuring the correct, genuine Case IH parts are located and dispatched right away, reaching you next day or sooner to keep your machine in top condition.



## MAXSERVICE

### AROUND THE CLOCK. AROUND THE COUNTRY.

When you're working around the clock, MaxService ensures you're never alone. It's a dedicated helpline that connects you to the Case IH ServiceTeam 24/7. Call technicians at your local dealer are ready to assist with technical advice, software solutions and genuine parts ordering. At peak season, we can keep you farming with breakdown assistance.



### OPTIMAL FINANCING SOLUTION FOR EVERY INVESTMENT.

CNH Industrial Capital is the Case IH finance provider. Our staff are finance experts with many years of experience in farming. Not only are we familiar with the market and Case IH products, but we also understand the individual needs of your farm. This is why we can always create new finance solutions for new investments which are specially tailored to your operating requirements, because our ultimate goal is to increase your return on investment!

# SUSTAINABILITY

It's part of everything we do



REDUCE THE CONSUMPTION OF RESOURCES BY MOVING FROM FOSSIL FUELS TO A **RENEWABLE ENERGY SYSTEM**



INCREASE AGRICULTURAL PRODUCTIVITY TO **IMPROVE FOOD** AVAILABILITY



REDUCE **ENVIRONMENTAL IMPACT** AND OPTIMIZE **ENERGY CONSUMPTION** IN ALL COMPANY PROCESSES



INCREASE OPPORTUNITIES FOR EXCHANGING **IDEAS** AND **GOOD PRACTICES** WITH ALL **STAKEHOLDERS**

Case IH is part of CNH Industrial, one of the world's largest capital goods companies. It has a firm focus on its environmental responsibilities, and has been a seven-time leader in the Dow Jones Sustainability Index. Within the CNH Industrial group:

- 91% of waste is recovered
- 27.5% of water used is recycled and
- 56% of electricity used is from renewable sources.

Being a global leader in capital goods carries great responsibilities, which means that we must be accountable for every global activity we perform. Our responsibility does not stop at the factory gate, and we have made great efforts to be proactive when it comes to the broader global issues surrounding sustainability. Over the years, our work in research and development has been geared towards ensuring that our products continue to achieve increasingly high standards in

terms of safety and eco-compatibility. Rather than limiting customers to a choice between low operating costs and eco-efficiency, our strategy is to offer products that deliver both.

By providing innovative products and solutions that abide by environmentally responsible operating practices, Case IH is doing its part to address global issues such as climate change. Today's companies face complex and interconnected challenges that demand an ever-evolving approach to sustainability, a scenario that Case IH believes is an important driver in creating long-term value for all its stakeholders, which is a core objective of the brand.

At Case IH, our engineers are focused on producing machines that not only work on the land, but work with it too.

## THE SUSTAINABILITY GROWTH DRIVERS ARE:

- Necessity to feed an increasing population
- Importance of soil protection for future generations
- Growing sustainable farming solutions
- Increasing public awareness
- Fostering people engagement





MODELS	Axial-Flow® 5150	Axial-Flow® 6150	Axial-Flow® 7150
<b>HEADERS</b>			
Case IH fixed/variable knife headers (2030/3050 range), draper headers, flexheaders (3020 range) working widths (m):	4.9 / 5.5 / 6.1 / 6.7	4.9 / 5.5 / 6.1 / 6.7 / 7.6 / 8.5	4.9 / 5.5 / 6.1 / 6.7 / 7.6 / 8.5 / 9.1
Corn header 4400 range rigid/foldable:	6 row chopping corn heads	6 and 8 row chopping corn headers and 12 rows non chopping corn header	
Pickup headers 3016 range working width (m):	3.7 / 4.6		
<b>THRESHING / SEPARATING</b>			
Rotor drive type	Variable belt with 3-speed transmission		
Rotor speed range (rpm)	250 - 1,150 (3 ranges)		
Rotor diameter and length (mm)	762 / 2,794		
Total separation area (m <sup>2</sup> )	2.78		
Threshing / separating modules wrap angle (°)	156 / 133		
Number of threshing / separation modules	3 / 3		
<b>CLEANING SYSTEM</b>			
3 step cleaning system	•		
Total sieve area under wind control (m <sup>2</sup> )	5.4		
<b>CLEANING FAN</b>			
Fan speed range (rpm)	450 to 1,250		
<b>RETURN SYSTEM</b>			
Tailings return type	To rotor		
<b>GRAIN TANK / UNLOADING</b>			
Electric control of grain tank covers from cab	•		
Grain tank capacity (l)	9,200 / 10,570 (with covers)	10,570	
Unloading rate (l/s)	113		
Unloading auger effective length, measured from middle of combine to tip of unloading auger (standard/option) (m)	6.6 / 7.5 / 7.9		
<b>STRAW CHOPPER &amp; SPREADER</b>			
Straw chopper / beater	Fixed 32 / 25, Flail 76 / 47		
Number of knives: chopper/counterbar	Fixed 32 / 25, Flail 76 / 47		
Spreader type	Dual vertical mechanical spreaders		

MODELS	Axial-Flow® 5150	Axial-Flow® 6150	Axial-Flow® 7150
<b>ENGINE <sup>1)</sup></b>			
Type / Capacity (cm <sup>3</sup> ) / TIERIII	6 cylinder, turbo, aftercooler / 6,700		6 cylinder, turbo, aftercooler / 8,700
Max. power ECE R120 at 2000 rpm (kW/hp(cv))	231 / 315	305 / 409	320 / 436
Fuel tank, diesel	550	950	950
<b>TRACTION</b>			
Transmission	4 speeds electrically controlled, hydrostatic transmission		
Heavy duty adjustable steering axle	•		
Final drive type	bull gear		
Powered rear axle	○		
<b>OPERATOR CAB</b>			
New seat positioning for added leg room, instructor seat, narrow adjustable steering console, rearranged right hand console and switches in cab, new Multifunction handle, large openable graintank window, right hand emergency exit, right hand post instruments cluster	•		
<b>ADVANCED FARMING SYSTEMS (AFS)</b>			
Yield & moisture monitoring / mapping	○		
AFS Precision Farming ready and Guidance ready	○		
<b>TYRES</b>			
Traction tyres	30.5L-32 14PR R1 TL / TW800/65R32 LI172 R1W / TW900/60R32 176A8 R1W		
Steering tyres	SW600/65R28 154A8 R1W / SW18.4-26 12 PR R1		
<b>DIMENSION (APPROXIMATE)</b>			
Length / Width /Height (m)	8.7 / 3.3 - 3.94 / 4.0		

<sup>1)</sup> ECE R-120 correspond to ISO TR14396 <sup>2)</sup> FPT Industrial engine • Standard ○ Optional




MODELS	Axial-Flow® 5150 Comfort	Axial-Flow® 6150 Comfort	Axial-Flow® 7150 Comfort
<b>HEADERS</b>			
Case IH fixed/variable knife headers (2030/3050 range), draper headers, flexheaders (3020 range) working widths (m):	4.9 / 5.5 / 6.1 / 6.7	4.9 / 5.5 / 6.1 / 6.7 / 7.6 / 8.5	4.9 / 5.5 / 6.1 / 6.7 / 7.6 / 8.5 / 9.1
Corn header 4400 range rigid/foldable:	6 row chopping corn heads	6 and 8 row chopping corn headers and 12 rows non chopping corn header	
Pickup headers 3016 range working width (m):	3.7 / 4.6		
<b>THRESHING / SEPARATING</b>			
Rotor drive type	Variable belt with 3-speed transmission		
Rotor speed range (rpm)	250 - 1,150 (3 ranges)		
Rotor diameter and length (mm)	762 / 2,794		
Total separation area (m <sup>2</sup> )	2.78		
Threshing / separating modules wrap angle (°)	156 / 133		
Number of threshing / separation modules	6 / 3		
<b>CLEANING SYSTEM</b>			
3 step cleaning system	•		
Total sieve area under wind control (m <sup>2</sup> )	5.4		
<b>CLEANING FAN</b>			
Fan speed range (rpm)	450 to 1,250		
<b>RETURN SYSTEM</b>			
Tailings return type	To rotor		
<b>GRAIN TANK / UNLOADING</b>			
In-cab control of grain tank covers	•		
Grain tank capacity (l)	8,810	10,570	
Unloading rate (l/s)	113		
Unloading auger effective length, measured from middle of combine to tip of unloading auger (standard/option) (m)	6.6 / 7.5 / 7.9		
<b>STRAW CHOPPER &amp; SPREADER</b>			
Straw chopper / beater	Fixed 32 / 25, Flail 76 / 47		
Number of knives: chopper/counterbar	Fixed 32 / 25, Flail 76 / 47		
Spreader type	Dual horizontal, hydraulically driven		

MODELS	Axial-Flow® 5150 Comfort	Axial-Flow® 6150 Comfort	Axial-Flow® 7150 Comfort
<b>ENGINE <sup>1)</sup></b>			
Type / Capacity (cm <sup>3</sup> ) / Tier II	6 cylinder, turbo, aftercooler / 6,700		6 cylinder, turbo, aftercooler / 8,700
Max. power ECE R120 at 2000 rpm (kW/hp(cv))	220 / 295	305 / 409	330 / 442
Fuel tank, diesel	550	950	950
<b>TRACTION</b>			
Transmission	2 mechanical speeds and 2 hydrostatic ranges, acting on variable displacement hydrostatic motor		
Heavy duty adjustable steering axle	•		
Final drive type	bull gear		
Powered rear axle	○		
<b>OPERATOR CAB</b>			
New seat positioning for added leg room, instructor seat, narrow adjustable steering console, rearranged right hand console and switches in cab, new Multifunction handle, large openable graintank window, right hand emergency exit, AFS Pro 700 display for combine settings and function control	•		
<b>ADVANCED FARMING SYSTEMS (AFS)</b>			
Yield & moisture monitoring / mapping	○		
AFS Precision Farming ready and Guidance ready	○		
<b>TYRES</b>			
Traction tyres	30.5L-32 14PR R1 TL / TW800/65R32 LI172 R1W / TW900/60R32 176A8 R1W		
Steering tyres	SW600/65R28 154A8 R1W / SW18.4-26 12 PR R1		
<b>DIMENSION (APPROXIMATE)</b>			
Length / Width /Height (m)	8.7 / 3.3 - 3.94 / 4.0		

<sup>1)</sup> ECE R-120 correspond to ISO TR14396 <sup>2)</sup> FPT Industrial engine • Standard ○ Optional

**CNH Industrial Asia Pacific**  
**Riva Paradiso, 14 - Paradiso-Lugano Switzerland**

 Safety never hurts! Always read the Operator's Manual before working with any equipment. Inspect equipment before using it, and be sure it is operating properly. Follow the product safety signs, and use any safety features provided. This literature has been published for worldwide circulation. The standard and optional equipment and the availability of individual models may vary from one country to the next. Case IH reserves the right to undertake modifications without prior notice to the design and technical equipment at all times without this resulting in any obligation whatsoever to make such modifications to units already sold. Whilst every effort is made to ensure that the specifications, descriptions and illustrations in this brochure are correct at the time of going to press, these are also subject to change without prior notice. Illustrations may show optional equipment or may not show all standard equipment. Case IH recommends **ARCELA** lubricants.